



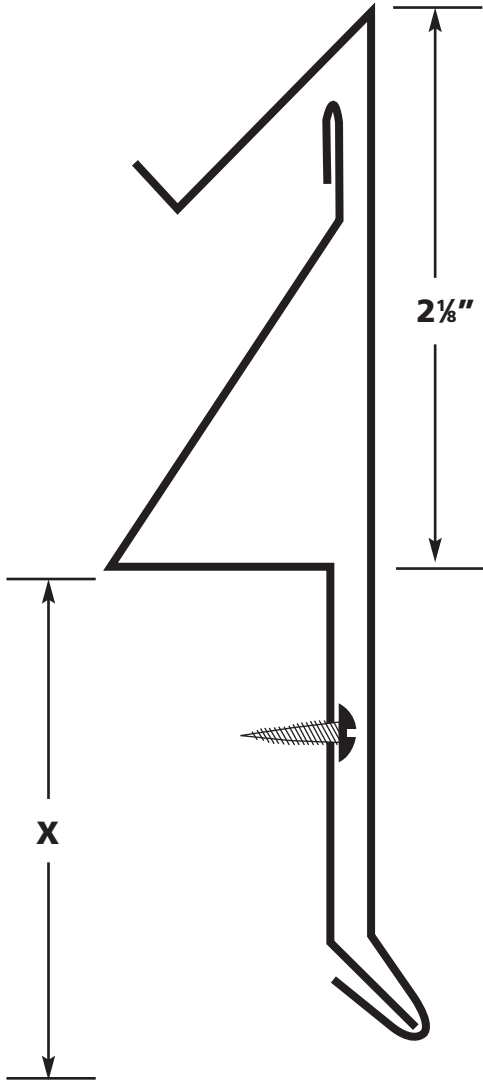
# SHEET METAL SUPPLY LTD.

## Keylock

Quote

Order

Fax: 847.478.9500 Phone: 847.478.8500



Company Name: \_\_\_\_\_

Contact Name: \_\_\_\_\_

Contact Phone: \_\_\_\_\_ Fax: \_\_\_\_\_

Project Name/Number: \_\_\_\_\_

X= \_\_\_\_\_ "

- X-dimension available in 1/2" increments from 2 1/2" through 16"
- Includes 1 concealed splice plate/10 LF of face

*Note: Illustrations are not to scale*

Material  24 ga Kynar Color \_\_\_\_\_  
 24 ga Galvanized \_\_\_\_\_  
 Other please specify \_\_\_\_\_

Ship To \_\_\_\_\_

Quantity: \_\_\_\_\_ LF (sold in 10LF sections)

Prefabricated Miters:  
 Quantity \_\_\_\_\_ Inside \_\_\_\_\_ Outside \_\_\_\_\_

Jobsite Contact: \_\_\_\_\_

Contact #: \_\_\_\_\_

Other Notes/Instructions: \_\_\_\_\_  
 \_\_\_\_\_  
 \_\_\_\_\_

Expected Delivery: \_\_\_\_\_

Pick-up  Delivery