



SHEET METAL SUPPLY LTD.

Scupper With Sleeve (closed top)

Quote

Order

Fax: 847.478.9500 Phone: 847.478.8500

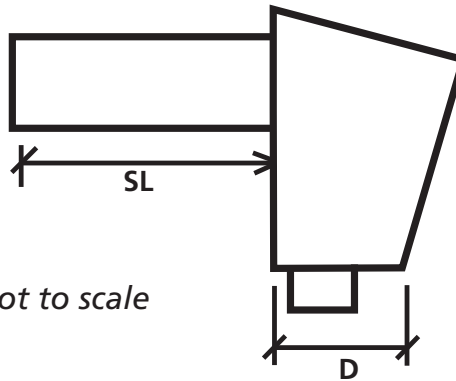
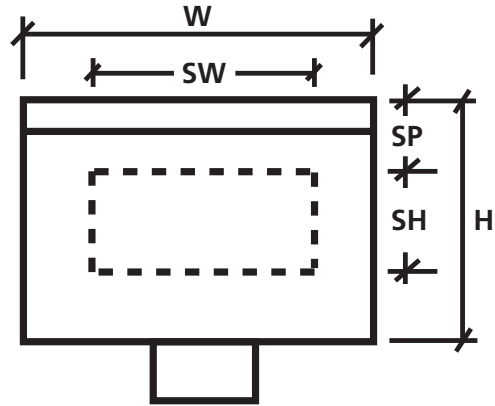
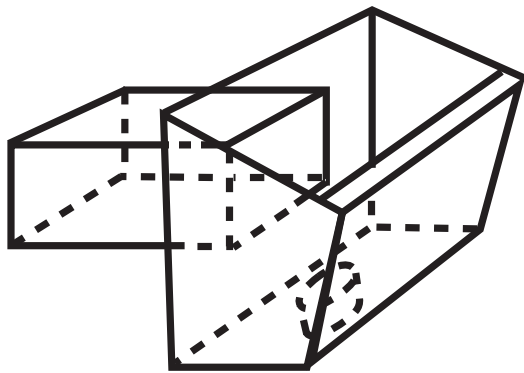
Company Name: _____

Contact Name: _____

Contact Phone: _____ Fax: _____

Project Name/Number: _____

Variations Available



Indicate Drop Size

Note: Illustrations are not to scale

Material: Box _____

Sleeve _____

Ship To _____

Dimensions: Box Height (H) _____

Box Width (W) _____

Box Depth (D) _____

Sleeve Height (SH) _____

Sleeve Width (SW) _____

Sleeve Placement (SP) _____

Sleeve Length (SL) _____

Jobsite Contact: _____

Contact #: _____

Expected Delivery: _____

Drop Size:

3 x 4" 4 x 5" Other _____"x_____"

Pick-up Delivery